

MET Single phase control and isolation transformer P: 3000VA IN: 400VAC+/- 5% OUT: 230VAC

Single-phase - Control and Isolation Transformers

3000 VA

Isolation class T 40/B

Image

- (EN 61558)

- Protection IP20

Vicarious picture

InputInput voltage 400 V AC $\pm 5\%$

Frequency 50...60 Hz

Short-circuit current 375 A (400 V AC)

Input current 7.66 A (400 V AC)

Inrush current 139 A (400 V AC)

Output

Output voltage 230 V AC

General data

Standards (EN 61558-1), (EN 61558-2-4), (EN 62041 category 0)

Test isolation voltage 4 kV (prim./sec.)

Dimensions H x W x D 195 x 198 x 250 mm

Fixing centers a x b x c 200 x 174 x 9 mm

Drill hole \varnothing 9 x 14 mm

Temperature range -20...+40 °C, no condensation

Mounting method Long-hole mounting

Commercial data

Net weight 28200

Weight unit Gram

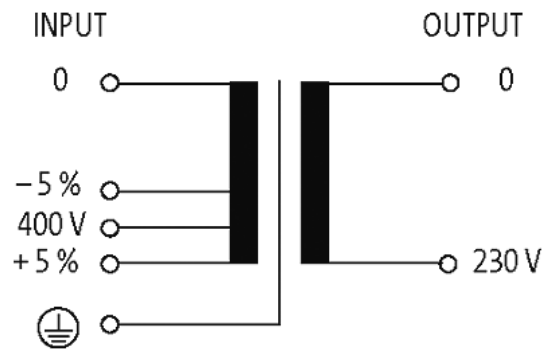
Basic unit pc.

Customs tariff number 85043200

Unit (piece) 1

Minimum order quantity (piece) 1

Circuit diagram



Dimension drawing

